

Rekta 30x90 Direct - VDT - LO 400mA - RAL  
05.13450174-9999

**Fixture details**

|                 |                           |
|-----------------|---------------------------|
| Mounting        | Ceiling                   |
| Light emission  | Direct                    |
| Fitting cover   | Louvre optic - black matt |
| Protection rate | IP 20                     |
| Housing         | Aluminium                 |
| Finish          | RAL colour at your choice |
| Certificates    | CE, ISO 9001              |

**Electric details**

|                  |                |
|------------------|----------------|
| Protection class | I              |
| Supply           | 230V           |
| Control gear box | Current driver |

**Lamp details**

|                     |                  |
|---------------------|------------------|
| Lamptype            | LED 4000K        |
| Wattage             | 4,4W             |
| Gross luminous flux | 6055             |
| Luminaire power     | 34,3W            |
| Number              | 7                |
| Lifetime LED module | L80/B10 > 72000h |
| Color tolerance     | MacAdam 3        |
| CRI                 | >80              |

**Photometric details**

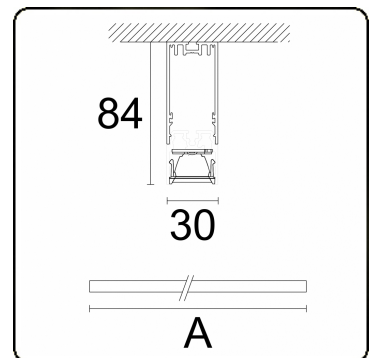
|              |                  |
|--------------|------------------|
| UGR          | <19              |
| CIE Fluxcode | 98 100 100 99 84 |

**Dimensions**

|   |         |
|---|---------|
| A | 1970 mm |
|---|---------|

**Remarks**

Ceiling luminaire - Direct - LO 400mA - VDT louvre - RAL



**ENERGY**

Verrijgbaar op aanvraag.

Disponible sur demande.

Available on request.

Auf Anfrage.

**WXYZ**  
kWh/1000h

**MULTILINE®**

2019/2015