

Rekta 30x110 Direct/Indirect - VDT - LO 400mA - RAL
04.13754193-9999

Fixture details

Mounting	Pendant
Light emission	Direct-Indirect
Fitting cover	Louvre optic - black matt
Protection rate	IP 20
Housing	Aluminium
Finish	RAL colour at your choice
Certificates	CE, ISO 9001



Electric details

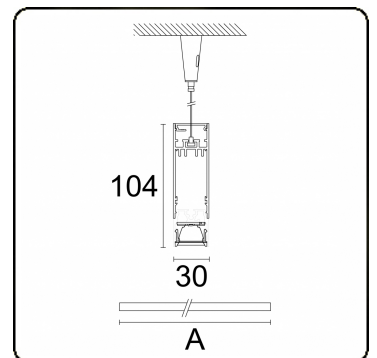
Protection class	I
Supply	230V
Control gear box	Current driver DALI/TD

Lamp details

Lamptype	LED 3000K
Wattage	4,4W
Gross luminous flux	13940
Luminaire power	83,2W
Number	17
Lifetime LED module	L80/B10 > 72000h
Color tolerance	MacAdam 3
CRI	>80

Photometric details

UGR	<19
CIE Fluxcode	98 100 100 99 84
CIE Fluxcode Indirect	00 00 00 00 67



Dimensions

A	2530 mm
---	---------

Remarks

Suspended luminaire - Direct/Indirect - LO 400mA - VDT louvre - RAL

ENERGY

Verrijgbaar op aanvraag.

Disponible sur demande.

Available on request.

Auf Anfrage.

WXYZ
kWh/1000h

MULTILINE®

2019/2015