

Plato 0 Direct - satin - HO 150mA - Anthracite grey
31.13000534-7916

Fixture details

Mounting	Pendant
Light emission	Direct
Fitting cover	satin diffusor
Protection rate	IP 20
Housing	Aluminium/PET
Finish	7916 = Anthracite grey panel and profile
Certificates	CE, ISO 9001

Electric details

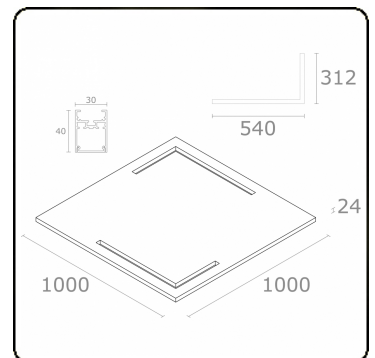
Protection class	I
Supply	230V
Control gear box	Current driver

Lamp details

Lamptype	LED 4000K
Wattage	3,2W
Gross luminous flux	4020
Luminaire power	21,1W
Number	6
Lifetime LED module	L80/B10 > 72000h
Color tolerance	MacAdam 3
CRI	80

Photometric details

UGR	>19
CIE Fluxcode	50 80 96 100 67



ENERGY

Verrijgbaar op aanvraag.

Disponible sur demande.

Available on request.

Auf Anfrage.

WXYZ
kWh/1000h

MULTILINE®

2019/2015