

Plato 0 Direct - satin - HO 150mA - Anthracite grey
31.13000533-7916

Fixture details

Mounting	Pendant
Light emission	Direct
Fitting cover	satin diffusor
Protection rate	IP 20
Housing	Aluminium/PET
Finish	7916 = Anthracite grey panel and profile
Certificates	CE, ISO 9001

Electric details

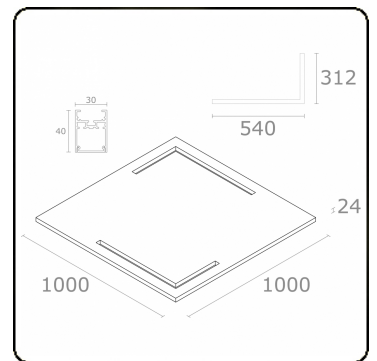
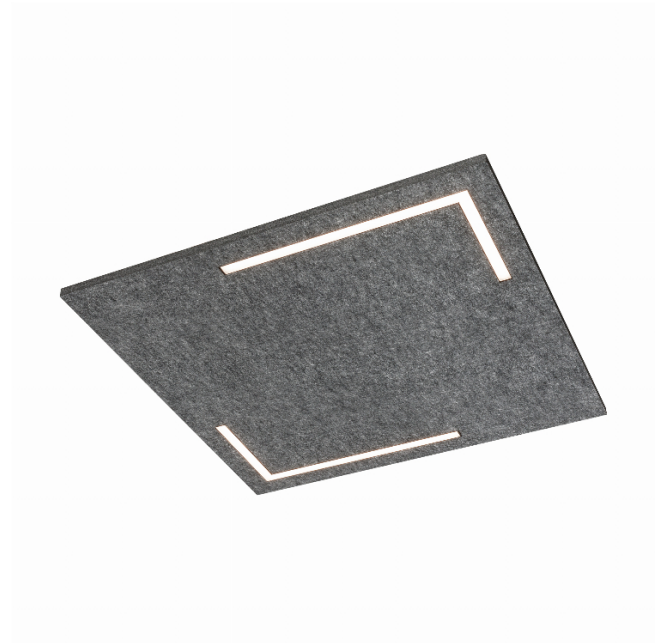
Protection class	I
Supply	230V
Control gear box	Current driver

Lamp details

Lamptype	LED 3000K
Wattage	3,2W
Gross luminous flux	3840
Luminaire power	21,1W
Number	6
Lifetime LED module	L80/B10 > 72000h
Color tolerance	MacAdam 3
CRI	80

Photometric details

UGR	>19
CIE Fluxcode	50 80 96 100 67



ENERGY

A
 Verkrijgbaar op aanvraag.
 B
 Disponible sur demande.
 C
 D
 Available on request.
 E
 F
 Auf Anfrage.
 G

WXYZ
kWh/1000h

MULTILINE® 2019/2015