

Rekta 65x90 Direct/Indirect - VDT - HO 150mA - RAL
04.94320544-9999

Fixture details

| | |
|-----------------|---------------------------|
| Mounting | Pendant |
| Light emission | Direct-Indirect |
| Fitting cover | VDT louvre |
| Protection rate | IP 20 |
| Housing | Aluminium |
| Finish | RAL colour at your choice |
| Certificates | CE, ISO 9001 |



Electric details

| | |
|------------------|----------------|
| Protection class | I |
| Supply | 230V |
| Control gear box | Current driver |

Lamp details

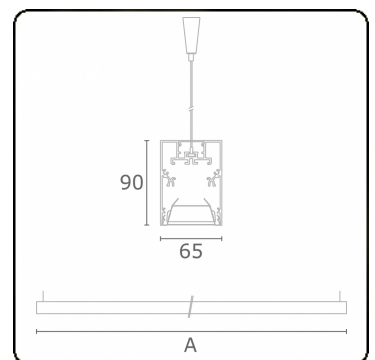
| | |
|---------------------|------------------|
| Lamptype | LED 4000K |
| Wattage | 3,2W |
| Gross luminous flux | 4690 |
| Luminaire power | 24,6W |
| Number | 7 |
| Lifetime LED module | L80/B10 > 72000h |
| Color tolerance | MacAdam 3 |
| CRI | >80 |

Photometric details

| | |
|-----------------------|------------------|
| UGR | <19 |
| CIE Fluxcode | 80 99 100 100 76 |
| CIE Fluxcode Indirect | 00 00 00 00 67 |

Dimensions

| | |
|---|---------|
| A | 1130 mm |
|---|---------|



Remarks

Suspended luminaire - Direct/Indirect - HO 150mA - VDT - RAL

ENERGY

Verrijgbaar op aanvraag.

Disponible sur demande.

Available on request.

Auf Anfrage.

WXYZ
kWh/1000h

MULTILINE®

2019/2015

