

Tube 70 T1 - satin - HO 150mA - double cable gland
35.90211553-0000

Fixture details

Mounting	Wall
Light emission	Diffus
Fitting cover	satin diffusor
Protection rate	IP 65
Housing	Polycarbonate/PMMA
Finish	frosted
Certificates	CE, ISO 9001

Electric details

Protection class	I
Supply	230V
Control gear box	Current driver
Emergency set	Autonomy 1 hour

Lamp details

Lamptype	LED 3000K
Wattage	3,2W
Gross luminous flux	3200
Luminaire power	17,6W
Number	5
Lifetime LED module	L80/B10 > 72000h
Color tolerance	MacAdam 3
CRI	>80

Photometric details

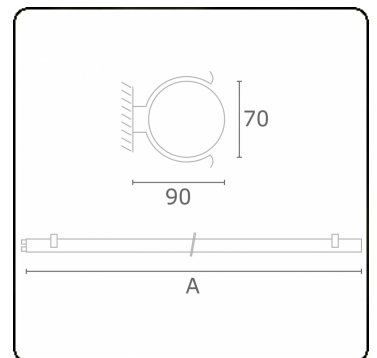
CIE Fluxcode	45 74 91 93 85
--------------	----------------

Dimensions

A	1480 mm
---	---------

Remarks

Wall luminaire - satin - HO 150mA - double cable gland



ENERGY

Verkrijgbaar op aanvraag.

Disponible sur demande.

Available on request.

Auf Anfrage.

MULTILINE®

WXYZ
kWh/1000h

2019/2015