

Score flat Direct - satin - HO 150mA - ANO  
07.87000593-0001

**Fixture details**

Mounting	Ceiling recessed
Light emission	Direct
Fitting cover	satin diffusor
Protection rate	IP 20
Housing	Aluminium
Finish	anodized finish
Certificates	CE, ISO 9001



**Electric details**

Protection class	I
Supply	230V
Control gear box	Current driver

**Lamp details**

Lamptype	LED 3000K
Wattage	3,2W
Gross luminous flux	5715
Luminaire power	31,6W
Number	9
Lifetime LED module	L80/B10 > 72000h
Color tolerance	MacAdam 3
CRI	>80

**Photometric details**

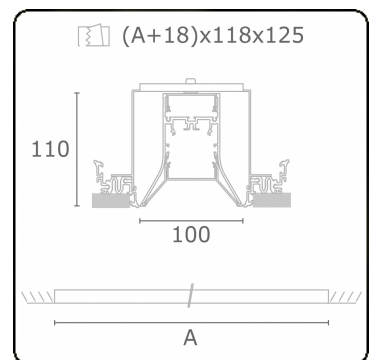
UGR	>19
CIE Fluxcode	56 88 98 99 71

**Dimensions**

A	2544 mm
---	---------

**Remarks**

Recessed luminaire (trimless) - Direct - HO 150mA - satin - ANO



**ENERGY** 

A  
 Verkrijgbaar op aanvraag.  
B  
 Disponible sur demande.  
C  
D  
 Available on request.  
E  
F  
 Auf Anfrage.  
G

**WXYZ**  
kWh/1000h

**MULTILINE®** 2019/2015