

Biko Direct - satin - HO 150mA - RAL/RAL  
04.44000564-9999

**Fixture details**

|                 |                           |
|-----------------|---------------------------|
| Mounting        | Pendant                   |
| Light emission  | Direct                    |
| Fitting cover   | satin diffusor            |
| Protection rate | IP 20                     |
| Housing         | Aluminium                 |
| Finish          | RAL colour at your choice |
| Certificates    | CE, ISO 9001              |

**Electric details**

|                  |                |
|------------------|----------------|
| Protection class | I              |
| Supply           | 230V           |
| Control gear box | Current driver |

**Lamp details**

|                     |                  |
|---------------------|------------------|
| Lamptype            | LED 4000K        |
| Wattage             | 3,2W             |
| Gross luminous flux | 4020             |
| Luminaire power     | 21,1W            |
| Number              | 6                |
| Lifetime LED module | L80/B10 > 72000h |
| Color tolerance     | MacAdam 3        |
| CRI                 | >80              |

**Photometric details**

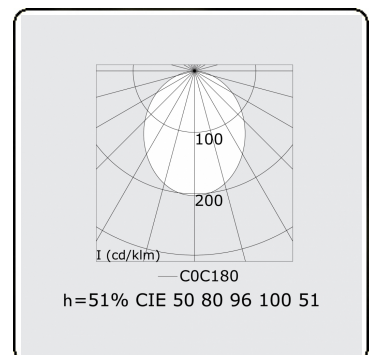
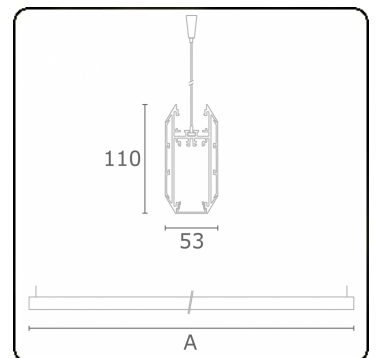
|              |                 |
|--------------|-----------------|
| UGR          | >19             |
| CIE Fluxcode | 50 80 96 100 51 |

**Dimensions**

|   |         |
|---|---------|
| A | 1696 mm |
|---|---------|

**Remarks**

Suspended luminaire - Direct - HO 150mA - satin (flush) - RAL/RAL



**ENERGY**

Verrijgbaar op aanvraag.

Disponible sur demande.

Available on request.

Auf Anfrage.

**WXYZ**  
kWh/1000h

**MULTILINE®** 2019/2015