

Nhua - satin - HO 150mA - ANO  
06.19000523-0001

**Fixture details**

|                 |                 |
|-----------------|-----------------|
| Mounting        | Wall            |
| Light emission  | Direct-Indirect |
| Fitting cover   | satin diffusor  |
| Protection rate | IP 40           |
| Housing         | Aluminium       |
| Finish          | anodized finish |
| Certificates    | CE, ISO 9001    |



**Electric details**

|                  |                |
|------------------|----------------|
| Protection class | I              |
| Supply           | 230V           |
| Control gear box | Current driver |

**Lamp details**

|                     |                  |
|---------------------|------------------|
| Lamptype            | LED 3000K        |
| Wattage             | 3,2W             |
| Gross luminous flux | 1280             |
| Luminaire power     | 7,0W             |
| Number              | 2                |
| Lifetime LED module | L80/B10 > 72000h |
| Color tolerance     | MacAdam 3        |
| CRI                 | >80              |

**Photometric details**

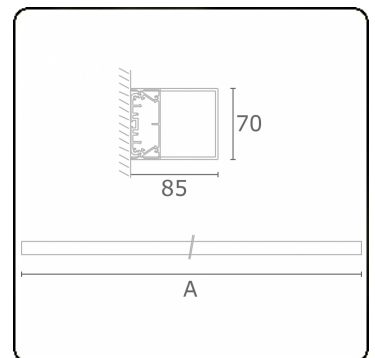
|              |                |
|--------------|----------------|
| UGR          | >19            |
| CIE Fluxcode | 34 61 83 76 75 |

**Dimensions**

|   |        |
|---|--------|
| A | 574 mm |
|---|--------|

**Remarks**

Wall luminaire - HO 150mA - satin - ANO



**ENERGY**

Verrijgbaar op aanvraag.

Disponible sur demande.

Available on request.

Auf Anfrage.

**MULTILINE®**

**WXYZ**  
kWh/1000h

2019/2015