

**T-Line 130 - Direct or Indirect - curved cover panel - ANO**  
06.37200033-0001

**Fixture details**

Mounting	Wall
Light emission	Direct or Indirect
Fitting cover	Prismatic diffuser
Protection rate	IP 20
Housing	Aluminium/Polycarbonate
Finish	anodized finish
Certificates	CE, ISO 9001



**Electric details**

Protection class	I
Supply	230V
Control gear box	Current driver

**Lamp details**

Lamptype	LED 3000K
Wattage	3,6W
Gross luminous flux	1920
Luminaire power	11,9W
Number	3
Lifetime LED module	L80/B10 > 72000h
Color tolerance	MacAdam 3
CRI	>80

**Photometric details**

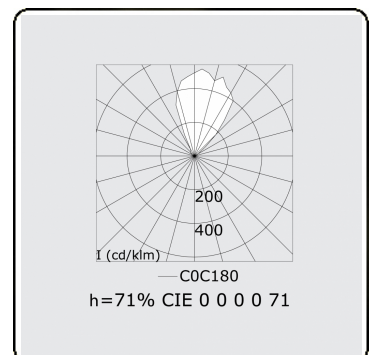
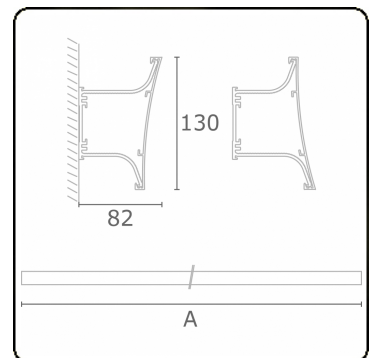
CIE Fluxcode	70 93 99 100 71
CIE Fluxcode Indirect	00 00 00 00 71

**Dimensions**

A	874 mm
---	--------

**Remarks**

direct or indirect light distribution with curved cover



**ENERGY**

Verrijgbaar op aanvraag.

Disponible sur demande.

Available on request.

Auf Anfrage.

**WXYZ**  
kWh/1000h

**MULTILINE®**

2019/2015