

Spy-1 - support - height 450mm  
35.11159-7916

**Fixture details**

Mounting	Ground
Light emission	Spotlight
Fitting cover	Glass
Protection rate	IP 54
Housing	Aluminium
Finish	RAL 7016 anthracite textured
Certificates	CE, ISO 9001

**Electric details**

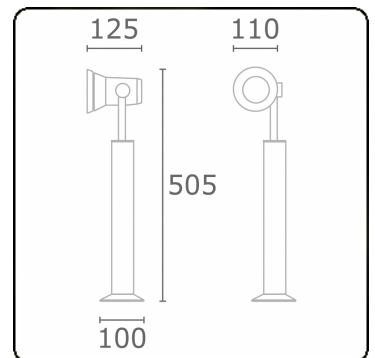
Protection class	I
Supply	230V
Control gear box	Current driver

**Lamp details**

Lamptype	LED 4000K 32°
Wattage	3x1W
Gross luminous flux	399
Luminaire power	4,2W
Number	1
Lifetime LED module	L70/B50 > 60000h
Color tolerance	MacAdam 3
CRI	80

**Photometric details**

CIE Fluxcode	96 99 100 100 73
--------------	------------------



**ENERGY**

Verrijgbaar op aanvraag.

Disponible sur demande.

Available on request.

Auf Anfrage.

**WXYZ**  
kWh/1000h

**MULTILINE®**

2019/2015