

**Metro-D 451x180mm - 30° ajustable - with recessed housing**  
36.73093-0000

**Fixture details**

Mounting	Ground - recessed
Light emission	Indirect - adjustable
Light distribution	adjustable
Fitting cover	Glass
Protection rate	IP 67
Maximum load	5000 kg drive-across (including recessing housi
T°	<75 °
Housing	Aluminium/Stainless Steel
Finish	matt black finish RAL 9105
Certificates	CE, ISO 9001

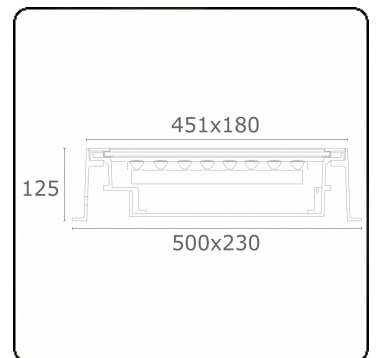


**Electric details**

Protection class	I
Supply	230V
Control gear box	Current driver

**Lamp details**

Lamptype	LED 4000K 8°
Wattage	16x1W
Gross luminous flux	2128
Luminaire power	18W
Cover glass	flat - clear
Number	1
Lifetime LED module	L70/B50 > 60000h
Color tolerance	MacAdam 3
CRI	80



**Photometric details**

CIE Fluxcode	0 0 0 0 75
--------------	------------

**Remarks**

451x180mm - clear glass - strips are individually adjustable up to 30°

**ENERGY**

Verrijgbaar op aanvraag.

Disponible sur demande.

Available on request.

Auf Anfrage.

**WXYZ**  
kWh/1000h

**MULTILINE®**

2019/2015