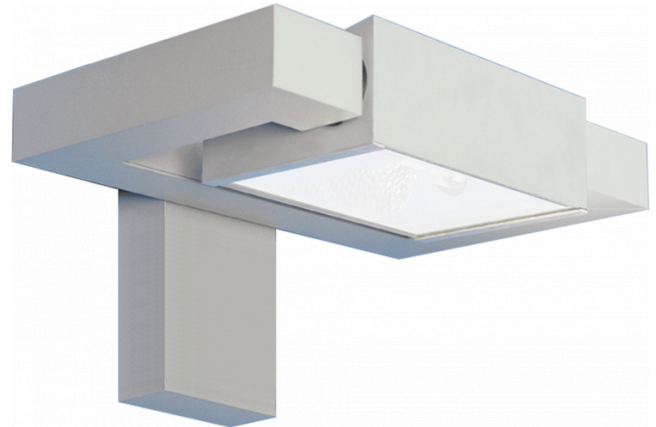


Vivace 7.2  
35.23793-9905

**Fixture details**

Mounting	Wall
Light emission	Direct or Indirect
Fitting cover	Glass
Protection rate	IP 54
Housing	Aluminium
Finish	RAL 9011 graphite black textured
Certificates	CE, ISO 9001



**Electric details**

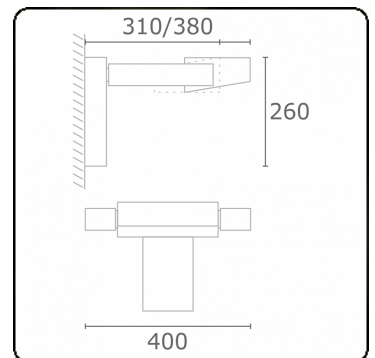
Protection class	I
Supply	230V
Control gear box	EG

**Lamp details**

Lamptype	LED 3000K
Wattage	24W
Gross luminous flux	2440
Luminaire power	29W
Number	1
Lifetime LED module	L80/B10 = 50000h
Color tolerance	MacAdam 3
CRI	85

**Photometric details**

CIE Fluxcode	53 83 97 99 73
--------------	----------------



**Remarks**

TC-D and LED with sandblasted glass, other light sources with clear glass

**ENERGY**

A  
 Verkrijgbaar op aanvraag.  
B  
 Disponible sur demande.  
C  
D  
 Available on request.  
E  
F  
 Auf Anfrage.  
G

**WXYZ**  
kWh/1000h

**MULTILINE®** 2019/2015