

Spy-1 - support - height 450mm
35.11158-9905

Fixture details

Mounting	Ground
Light emission	Spotlight
Fitting cover	Glass
Protection rate	IP 54
Housing	Aluminium
Finish	RAL 9011 graphite black textured
Certificates	CE, ISO 9001

Electric details

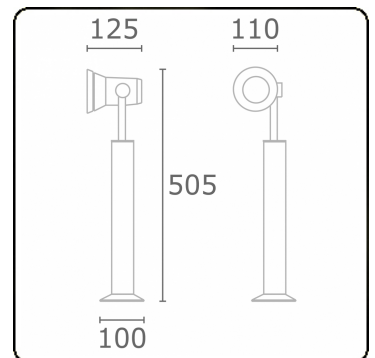
Protection class	I
Supply	230V
Control gear box	Current driver

Lamp details

Lamptype	LED 4000K 8°
Wattage	3x1W
Gross luminous flux	399
Luminaire power	4,2W
Number	1
Lifetime LED module	L70/B50 > 60000h
Color tolerance	MacAdam 3
CRI	80

Photometric details

CIE Fluxcode	95 97 99 100 75
--------------	-----------------



ENERGY

A →
B → Verrijgbaar op aanvraag.
C → Disponible sur demande.
D → Available on request.
E →
F → Auf Anfrage.
G →

WXYZ
kWh/1000h

MULTILINE® 2019/2015