

Anilo Direct/Indirect - satin - MO - RAL 9006  
04.49106103-9006

**Fixture details**

Mounting	Pendant
Light emission	Direct-Indirect
Fitting cover	Opal diffuser
Protection rate	IP 20
Housing	Aluminium
Finish	RAL 9006 White aluminium
Certificates	CE, ISO 9001



**Electric details**

Protection class	I
Supply	230V
Control gear box	Power supply touch-dim

**Lamp details**

Lamptype	LED 3000K
Wattage	63W
Luminaire power	63W
Luminaire luminous flux	5021
Number	1
Lifetime LED module	L80/B10 = 50000h
Color tolerance	MacAdam 3
CRI	>80

**Photometric details**

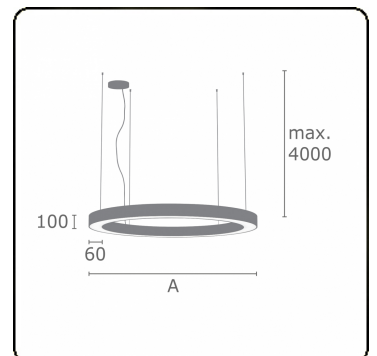
UGR	>19
CIE Fluxcode	47 78 95 36 100

**Dimensions**

A	600 mm
---	--------

**Remarks**

Suspended luminaire - Direct/Indirect - satin - MO - RAL 9006



**ENERGY**

Verrijgbaar op aanvraag.

Disponible sur demande.

Available on request.

Auf Anfrage.

**MULTILINE®**

**WXYZ**  
kWh/1000h

2019/2015