

Anilo Direct/Indirect - satin - MO - RAL 9003
04.49104114-9003

Fixture details

Mounting	Pendant
Light emission	Direct-Indirect
Fitting cover	Opal diffuser
Protection rate	IP 20
Housing	Aluminium
Finish	RAL 9003 Signal white
Certificates	CE, ISO 9001



Electric details

Protection class	I
Supply	230V
Control gear box	Power supply DALI

Lamp details

Lamptype	LED 4000K
Wattage	103W
Luminaire power	103W
Luminaire luminous flux	9560
Number	1
Lifetime LED module	L80/B10 = 50000h
Color tolerance	MacAdam 3
CRI	>80

Photometric details

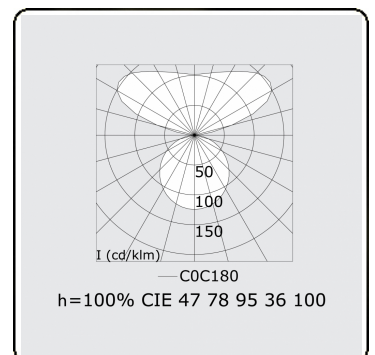
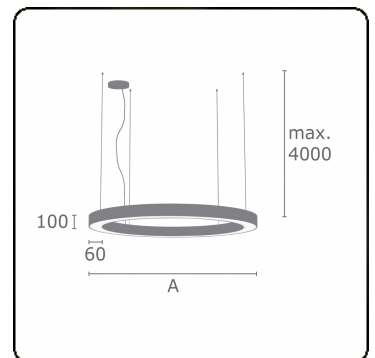
UGR	>19
CIE Fluxcode	47 78 95 36 100

Dimensions

A	900 mm
---	--------

Remarks

Suspended luminaire - Direct/Indirect - satin - MO - RAL 9003



ENERGY

Verrijgbaar op aanvraag.
Disponible sur demande.
Available on request.
Auf Anfrage.

WXYZ
kWh/1000h

MULTILINE® 2019/2015