

Metro-D Ø270mm - 30° ajustable - without recessed housing
36.04091-0000

Fixture details

| | |
|--------------------|---|
| Mounting | Ground - recessed |
| Light emission | Indirect - adjustable |
| Light distribution | adjustable |
| Fitting cover | Glass |
| Protection rate | IP 67 |
| Maximum load | 1000 kg walk-across (excluding recessing housir |
| T° | <75 ° |
| Housing | Aluminium/Stainless Steel |
| Finish | matt black finish RAL 9105 |
| Certificates | CE, ISO 9001 |



Electric details

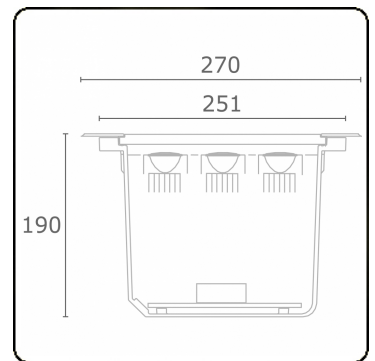
| | |
|------------------|----------------|
| Protection class | I |
| Supply | 230V |
| Control gear box | Current driver |

Lamp details

| | |
|---------------------|------------------|
| Lamptype | LED 3000K 32° |
| Wattage | 10x1W |
| Gross luminous flux | 1260 |
| Luminaire power | 12W |
| Cover glass | flat - clear |
| Number | 1 |
| Lifetime LED module | L70/B50 > 60000h |
| Color tolerance | MacAdam 3 |
| CRI | 80 |

Photometric details

| | |
|--------------|------------|
| CIE Fluxcode | 0 0 0 0 73 |
|--------------|------------|



Remarks

Ø270mm - clear glass - strips are individually adjustable up to 30°

This luminaire contains built-in LED lamps.

The lamps cannot be changed in the luminaire.

MULTILINE®

36.04091-0000

874/2012