

Sferio Direct/Indirect - satin - MO - RAL 9006
04.36106144-9006

Fixture details

| | |
|-----------------|--------------------------|
| Mounting | Pendant |
| Light emission | Direct-Indirect |
| Fitting cover | Opal diffuser |
| Protection rate | IP 20 |
| Housing | Aluminium |
| Finish | RAL 9006 White aluminium |
| Certificates | CE, ISO 9001 |



Electric details

| | |
|------------------|------------------------|
| Protection class | I |
| Supply | 230V |
| Control gear box | Power supply touch-dim |

Lamp details

| | |
|-------------------------|------------------|
| Lamptype | LED 4000K |
| Wattage | 87W |
| Luminaire power | 87W |
| Luminaire luminous flux | 13120 |
| Number | 1 |
| Lifetime LED module | L80/B10 = 50000h |
| Color tolerance | MacAdam 3 |
| CRI | >80 |

Photometric details

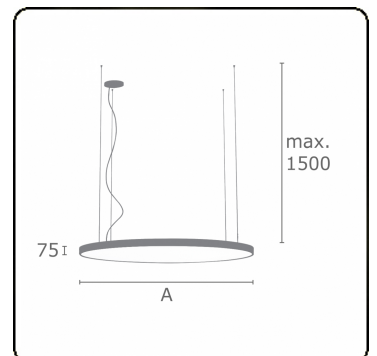
| | |
|--------------|-----------------|
| UGR | >19 |
| CIE Fluxcode | 47 78 95 57 100 |

Dimensions

| | |
|---|--------|
| A | 600 mm |
|---|--------|

Remarks

Suspended luminaire - Direct/Indirect - satin - MO - RAL 9006



ENERGY

Verrijgbaar op aanvraag.

Disponible sur demande.

Available on request.

Auf Anfrage.

WXYZ
kWh/1000h

MULTILINE®

2019/2015