

Ro-LED Direct - VDT - HO 150mA - ANO  
05.92024584-0001

**Fixture details**

|                 |                 |
|-----------------|-----------------|
| Mounting        | Ceiling         |
| Light emission  | Direct          |
| Fitting cover   | VDT louvre      |
| Protection rate | IP 20           |
| Housing         | Aluminium       |
| Finish          | anodized finish |
| Certificates    | CE, ISO 9001    |



**Electric details**

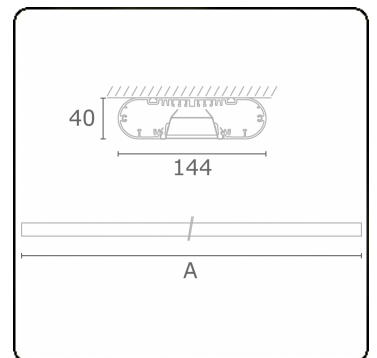
|                  |                        |
|------------------|------------------------|
| Protection class | I                      |
| Supply           | 230V                   |
| Control gear box | Current driver DALI/TD |

**Lamp details**

|                     |                  |
|---------------------|------------------|
| Lamptype            | LED 4000K        |
| Wattage             | 3,2W             |
| Gross luminous flux | 5360             |
| Luminaire power     | 28,2W            |
| Number              | 8                |
| Lifetime LED module | L80/B10 > 72000h |
| Color tolerance     | MacAdam 3        |
| CRI                 | >80              |

**Photometric details**

|              |                  |
|--------------|------------------|
| UGR          | <19              |
| CIE Fluxcode | 80 99 100 100 71 |



**Dimensions**

|   |         |
|---|---------|
| A | 2250 mm |
|---|---------|

**Remarks**

Ceiling luminaire - Direct - HO 150mA - VDT - ANO

**ENERGY**

Verrijgbaar op aanvraag.

Disponible sur demande.

Available on request.

Auf Anfrage.

**WXYZ**  
kWh/1000h

**MULTILINE®**

2019/2015