

Edge 55 B Direct/Indirect - satin - HO 150mA - RAL
04.74300593-9999

Fixture details

| | |
|-----------------|---------------------------|
| Mounting | Pendant |
| Light emission | Direct-Indirect |
| Fitting cover | satin diffusor |
| Protection rate | IP 20 |
| Housing | Aluminium |
| Finish | RAL colour at your choice |
| Certificates | CE, ISO 9001 |



Electric details

| | |
|------------------|----------------|
| Protection class | I |
| Supply | 230V |
| Control gear box | Current driver |

Lamp details

| | |
|---------------------|------------------|
| Lamptype | LED 3000K |
| Wattage | 3,2W |
| Gross luminous flux | 10880 |
| Luminaire power | 59,8W |
| Number | 17 |
| Lifetime LED module | L80/B10 > 72000h |
| Color tolerance | MacAdam 3 |
| CRI | >80 |

Photometric details

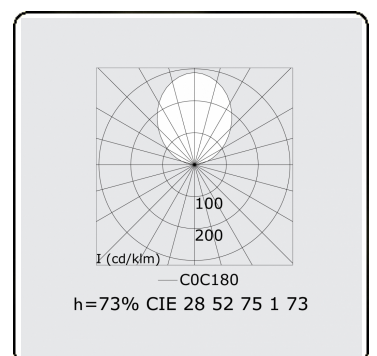
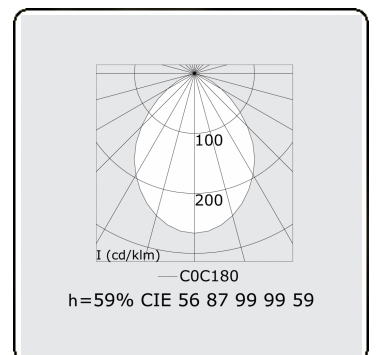
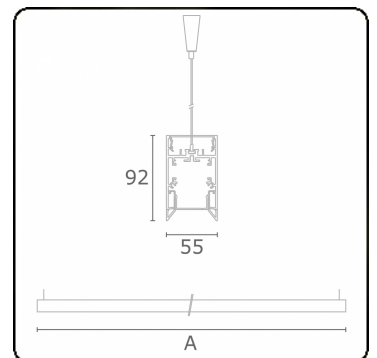
| | |
|-----------------------|----------------|
| UGR | >19 |
| CIE Fluxcode | 56 87 99 99 59 |
| CIE Fluxcode Indirect | 00 00 00 00 73 |

Dimensions

| | |
|---|---------|
| A | 2536 mm |
|---|---------|

Remarks

Suspended luminaire - Direct/Indirect - HO 150mA - satin - RAL



ENERGY

Verrijgbaar op aanvraag.

Disponible sur demande.

Available on request.

Auf Anfrage.

WXYZ
kWh/1000h

MULTILINE®

2019/2015