

Hideline 65x90 Direct/Indirect - VDT - LO 400mA - RAL
04.70324154-9999

Fixture details

Mounting	Pendant
Light emission	Direct-Indirect
Fitting cover	VDT louvre
Protection rate	IP 20
Housing	Aluminium
Finish	RAL colour at your choice
Certificates	CE, ISO 9001

Electric details

Protection class	I
Supply	230V
Control gear box	Current driver DALI/TD

Lamp details

Lamptype	LED 4000K
Wattage	4,5W
Gross luminous flux	7380
Luminaire power	44,6W
Number	9
Lifetime LED module	L80/B10 > 72000h
Color tolerance	MacAdam 3
CRI	>80

Photometric details

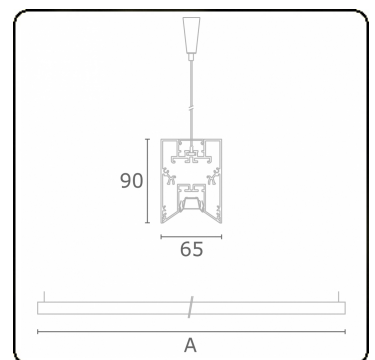
UGR	<19
CIE Fluxcode	90 99 100 100 68
CIE Fluxcode Indirect	00 00 00 00 67

Dimensions

A	1410 mm
---	---------

Remarks

Suspended luminaire - Direct/Indirect - LO 400mA - VDT louvre - RAL



ENERGY

Verkrijgbaar op aanvraag.

Disponible sur demande.

Available on request.

Auf Anfrage.

WXYZ
kWh/1000h

MULTILINE®

2019/2015