

Rekta 40x70 Direct - satin - HO 150mA - ANO
07.09204573-0001

Fixture details

| | |
|-----------------|------------------|
| Mounting | Ceiling recessed |
| Light emission | Direct |
| Fitting cover | satin diffusor |
| Protection rate | IP 20 |
| Housing | Aluminium |
| Finish | anodized finish |
| Certificates | CE, ISO 9001 |



Electric details

| | |
|------------------|------------------------|
| Protection class | I |
| Supply | 230V |
| Control gear box | Current driver DALI/TD |

Lamp details

| | |
|---------------------|------------------|
| Lamptype | LED 3000K |
| Wattage | 3,2W |
| Gross luminous flux | 4480 |
| Luminaire power | 24,6W |
| Number | 7 |
| Lifetime LED module | L80/B10 > 72000h |
| Color tolerance | MacAdam 3 |
| CRI | >80 |

Photometric details

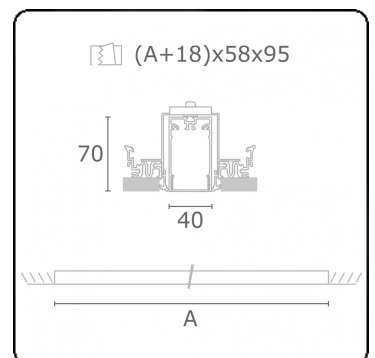
| | |
|--------------|-----------------|
| UGR | >19 |
| CIE Fluxcode | 49 80 96 100 66 |

Dimensions

| | |
|---|---------|
| A | 1964 mm |
|---|---------|

Remarks

Recessed luminaire (trimless) - Direct - HO 150mA - satin (flush) - ANO



ENERGY

Verkrijgbaar op aanvraag.

Disponible sur demande.

Available on request.

Auf Anfrage.

MULTILINE®

WXYZ
kWh/1000h

2019/2015