

Metro-S 200x100mm - COB (white printed glass) - without recessed housing
36.610053-0021

Fixture details

| | |
|--------------------|---|
| Mounting | Ground - recessed |
| Light emission | Indirect |
| Light distribution | Symmetrical |
| Fitting cover | Glass |
| Protection rate | IP 67 |
| Maximum load | 1000 kg drive-across (excluding recessing housi |
| T° | <75° ° |
| Housing | Aluminium/Stainless Steel |
| Finish | matt black finish RAL 9105 |
| Certificates | CE, ISO 9001 |



Electric details

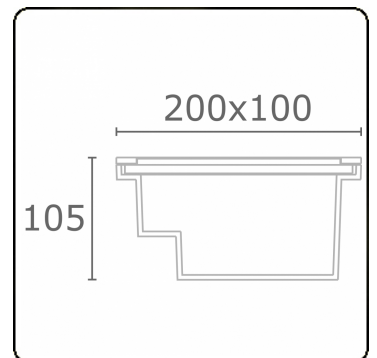
| | |
|------------------|----------------|
| Protection class | I |
| Supply | 230V |
| Control gear box | Current driver |

Lamp details

| | |
|---------------------|-------------------|
| Lamptype | LED 3000K |
| Wattage | 5W |
| Gross luminous flux | 463 |
| Luminaire power | 5W |
| Cover glass | flat - white |
| Number | 1 |
| Lifetime LED module | L80/B10 = 100000h |
| Color tolerance | MacAdam 3 |
| CRI | 80 |

Photometric details

| | |
|--------------|-----------|
| CIE Fluxcode | 0 0 0 0 8 |
|--------------|-----------|



Remarks

200x100mm white printed glass

ENERGY

Verkrijgbaar op aanvraag.

Disponible sur demande.

Available on request.

Auf Anfrage.

WXYZ
kWh/1000h

MULTILINE®

2019/2015